

Outdoor Leaflet Holders

Introducing the new range of Outdoor Holders.

Designed for external use, these units have a weather resistant shell for ultimate protection.


taymar
brochure holders

OD230

1 pocket A4
outdoor leaflet holder

OD160

1 pocket A5
outdoor leaflet holder

OD110

1 pocket 1/3rd A4/DL
outdoor leaflet holder

OD95

1 pocket landscape
outdoor business card holder



1 Pocket Outdoor Business Card Holder

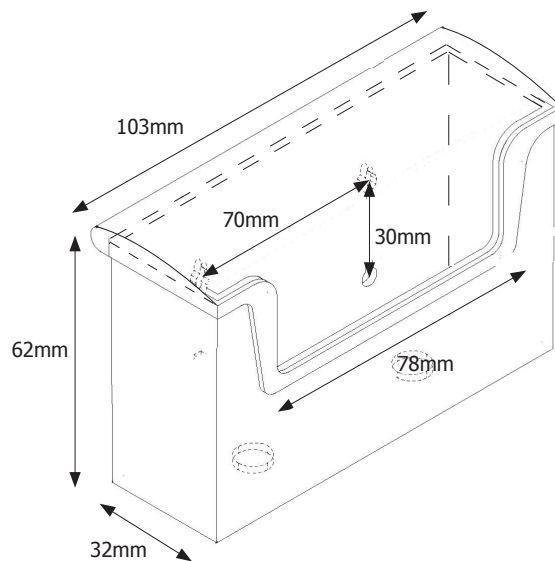
Information:

1 Pocket business card holder
 Outdoor Wall Mounting
 Opening dimension 95 x 25mm
 40 Per carton
 Carton size: 42 x 24 x 16cm
 Carton weight: 2.5kg

Ref: OD95



Dimensions



taymar
brochure holders



1 Pocket 1/3rd A4/DL Portrait Outdoor Leaflet Holder

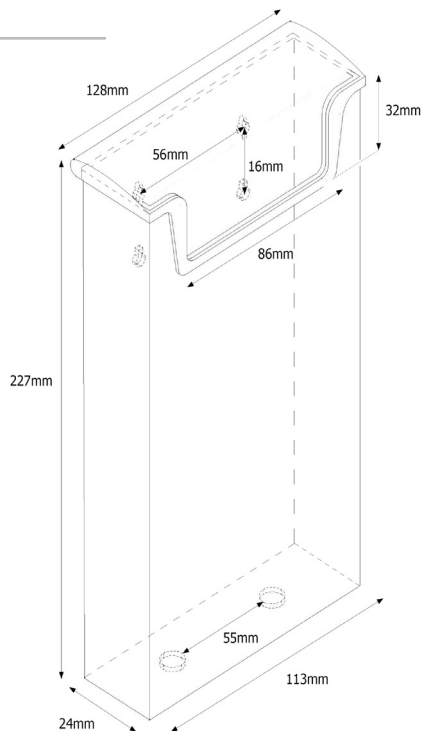
Information:

1 Pocket 1/3rd A4/DL portrait leaflet holder
 Outdoor Wall Mounting
 Opening dimension 110 x 32mm
 18 Per carton
 Carton size: 23 x 35 x 27cm
 Carton weight: 4kg

Ref: OD110



Dimensions



taymar
brochure holders



1 Pocket A5 Portrait Outdoor Leaflet Holder

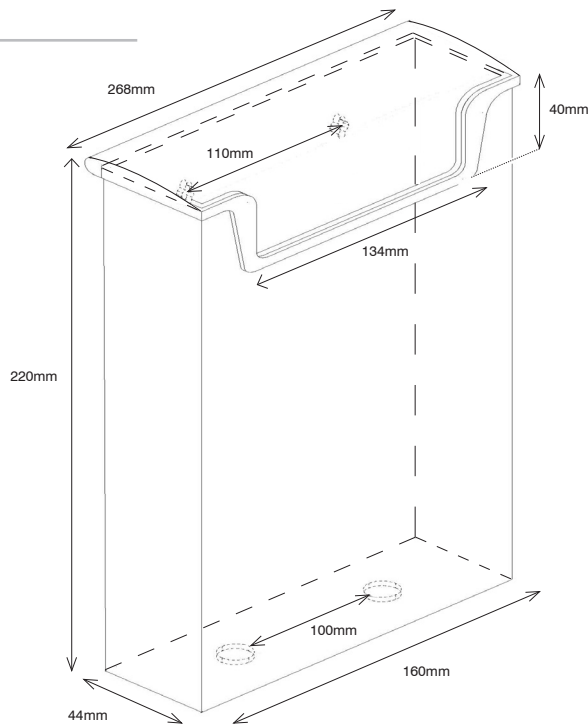
Information:

1 Pocket A5 portrait leaflet holder
 Outdoor Wall Mounting
 Opening dimension 160 x 39mm
 20 Per carton
 Carton size: 48 x 24 x 38cm
 Carton weight: 5.8kg

Ref: OD160



Dimensions



taymar
brochure holders



1 Pocket A4 Portrait Outdoor Leaflet Holder

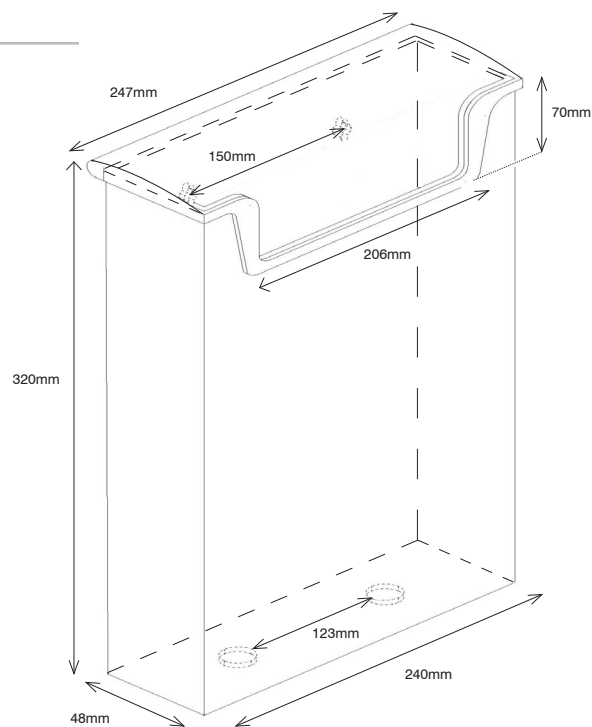
Information:

1 Pocket A4 portrait leaflet holder
 Outdoor Wall Mounting
 Opening dimension 230 x 39mm
 20 Per carton
 Carton size: 34 x 61 x 53cm
 Carton weight: 13kg

Ref: OD230



Dimensions



taymar
brochure holders

Mounting Options

The following mounting options are compatible with all Outdoor Brochure Holders:
(OD95 - OD1110 - OD160 - OD230)

Surface Mounting



Surface mounting clips simply slide into the back of the holder through the keyholes.

The clips can then be affixed to any surface using adhesives or doubled sided tape - as shown below



The pockets can then be easily removed at any time (e.g. at night) whilst leaving the clips in place.



<< Surface mounting clips correctly fitted.



<< Doubled sided tape application.

Direct to wall (screw fixing)



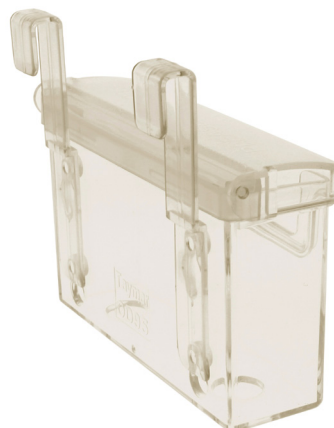
By choosing screws with the correct size head, each of the Outdoor Holders can be hung from screws directly onto the wall.

Suction Cups



Single sided suction cups can be mounted inside the keyholes providing easy fixing to glass or plastics for example.

Car Window / Hanging



Car window / hanging clips slide into the keyholes allowing the holders to be fixed to car windows or simply hung from existing display fittings.